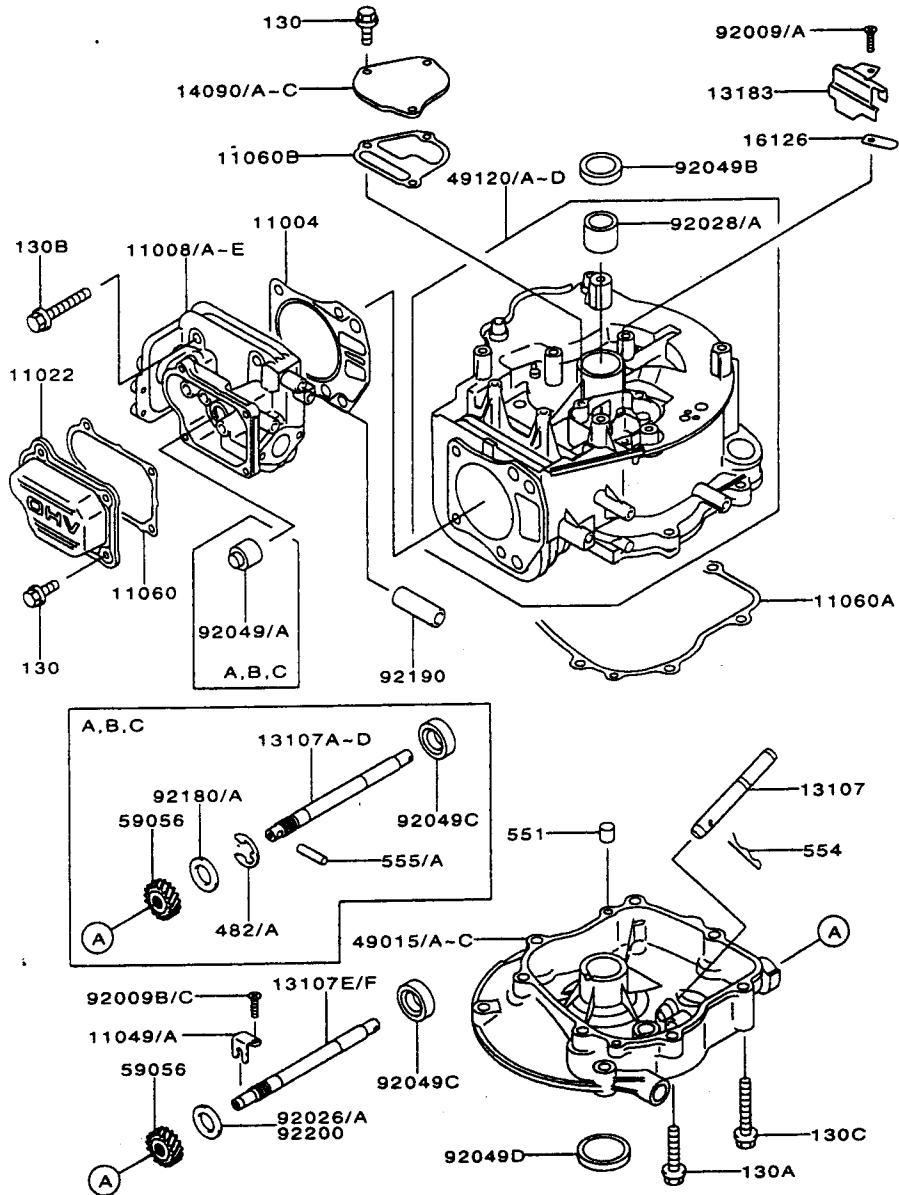


E0110-A205E



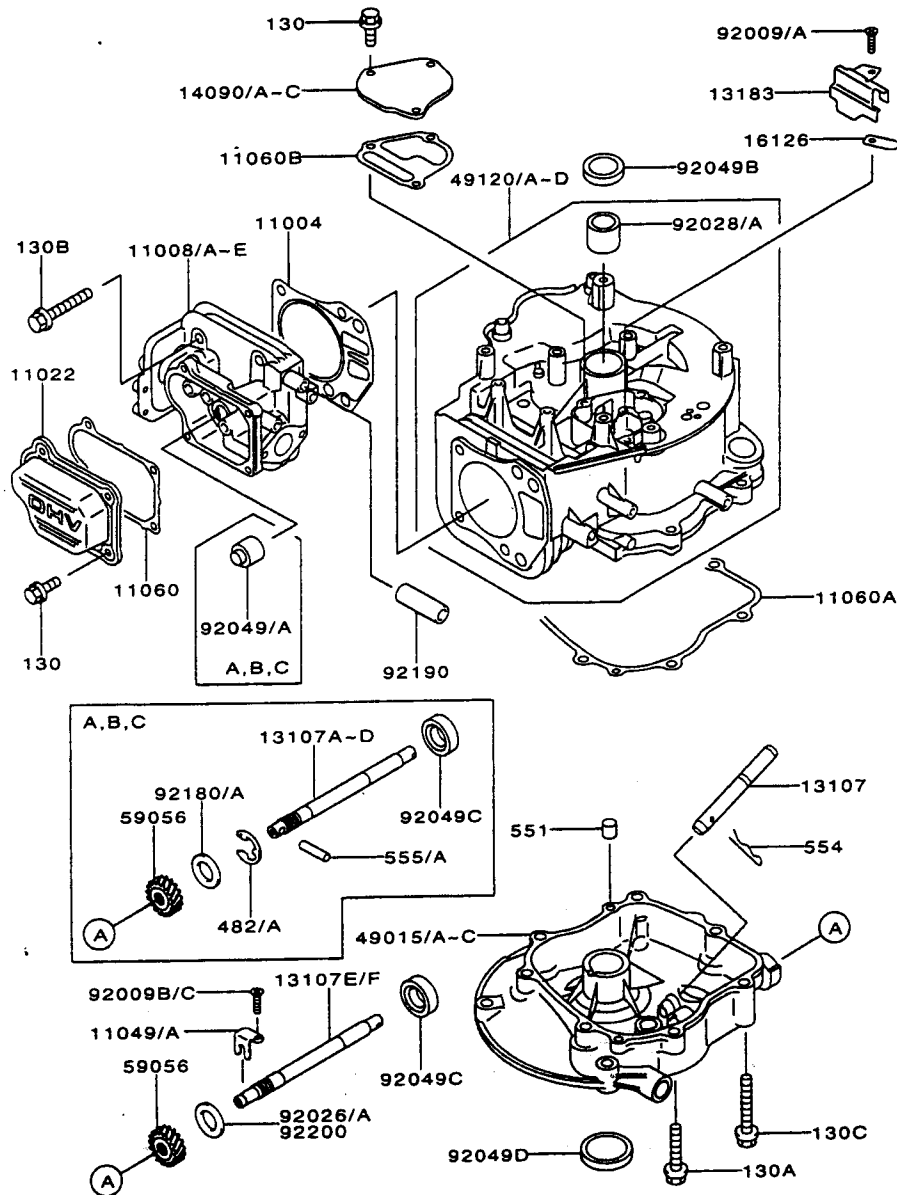
Ref. No.	Parts No.	Description	Quantity				
			A	B	C	D	E
11004	11004-2117	GASKET-HEAD	1	1	1	1	1
11008	11008-2097	HEAD-COMP-CYLINDER	1	1			
11008A	11008-2097	HEAD-COMP-CYLINDER					
11008B	11008-2117	HEAD-COMP-CYLINDER					
		(FC180-021662)					
11008C	11008-2117	HEAD-COMP-CYLINDER			1		
11008D	11008-2118	HEAD-COMP-CYLINDER					1
11008E	11008-2118	HEAD-COMP-CYLINDER				1	
		(FC180-021663-					
11022	11022-2067	CASE-ROCKER	1	1	1	1	1
11049	11049-2019	BRACKET				1	1
11049A	11049-2019	BRACKET			1		
		(FC180-017768-					
11060	11060-2139	GASKET,ROCKER CASE	1	1	1	1	1
11060A	11060-2142	GASKET,CRANKCASE COVER	1	1	1	1	1
11060B	11060-2143	GASKET	1	1	1	1	1
13107	13107-2255	SHAFT	1	1	1	1	1
13107A	13107-2256	SHAFT	1				
		(FC180-012118)					
13107B	13107-2256	SHAFT					
13107C	13107-2269	SHAFT				1	
		(FC180-017767)					
13107D	13107-2269	SHAFT				1	
		(FC180-012119-					
13107E	13107-2272	SHAFT					1
13107F	13107-2272	SHAFT				1	1
		(FC180-017768-					
13183	13183-2504	PLATE	1	1	1	1	1
14090	14090-2032	COVER	1	1			
14090A	14090-2032	COVER					
		(FC180-019267)					
14090B	14090-2094	COVER				1	1
14090C	14090-2094	COVER				1	
		(FC180-019268-					
16126	16126-2146	VALVE	1	1	1	1	1
49015	49015-2291	COVER-CRANKCASE	1	1			
49015A	49015-2291	COVER-CRANKCASE				1	
		(FC180-017767)					
49015B	49015-2338	COVER-CRANKCASE					1
49015C	49015-2338	COVER-CRANKCASE				1	1
		(FC180-017768-					

This catalog covers:
FC180V-□ B50

01

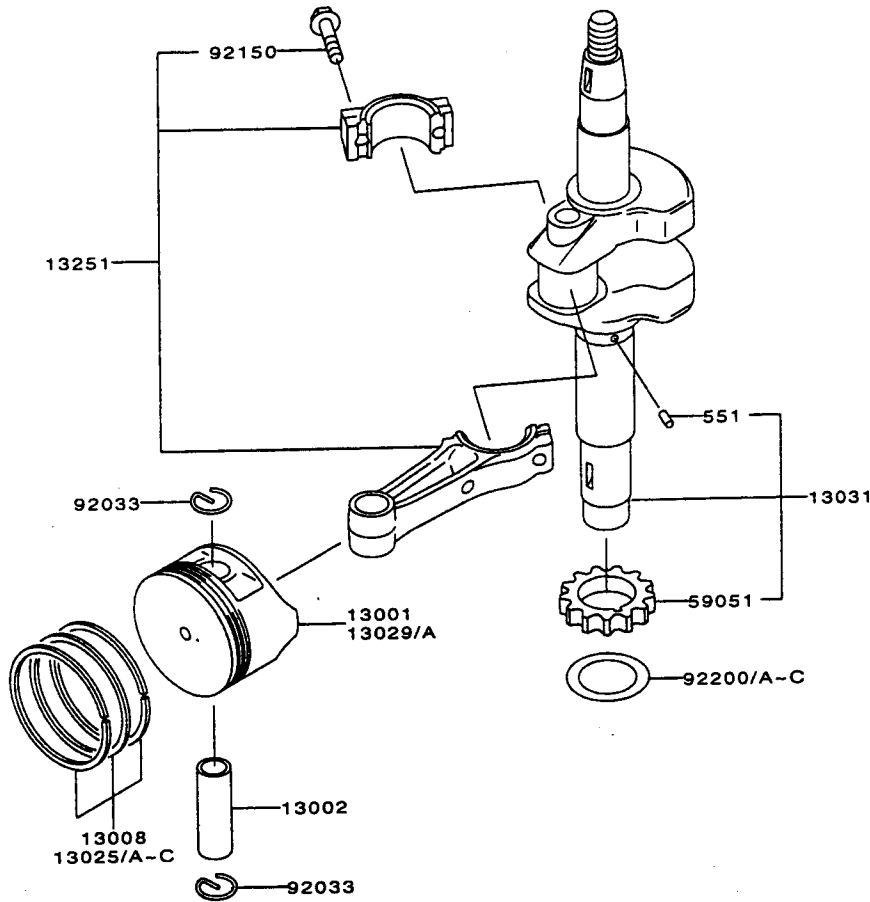
This fig. covers:
CYLINDER/CRANKCASE

E0110-A205E



Ref. No.	Parts No.	Description	Quantity				
			A	B	C	D	E
49120	49120-6074	CRANKCASE-COMP	1	1			
49120A	49120-6103	CRANKCASE-COMP					1
49120B	49120-6103	CRANKCASE-COMP					1
49120C	49120-6112	CRANKCASE-COMP			1		
49120D	49120-6112	CRANKCASE-COMP					
59056	59056-2790	GEAR-HELICAL	1	1	1	1	1
92009	92009-2166	SCREW,5X8	1	1	1	1	1
92009A	92009-2166	SCREW,5X8					
		FC180-017768-					
92009B	92009-2308	SCREW				1	1
92009C	92009-2308	SCREW			1		
92026	92022-269	SPACER				1	1
92026A	92022-269	SPACER			1		
92028	92028-2017	BUSHING	1	1			1
92028A	92028-2017	BUSHING					1
92049	92049-1062	SEAL-OIL	1	1			
92049A	92049-1062	SEAL-OIL				1	
92049B	92049-2199	SEAL-OIL	1	1	1	1	1
92049C	92049-2204	SEAL-OIL	1	1	1	1	1
92049D	92049-2210	SEAL-OIL	1	1	1	1	1
92180	92022-1236	SHIM,12.2X20X1.6	1	1			
92180A	92022-1236	SHIM,12.2X20X1.6					1
		(FC180-017767)					
92190	92190-2112	TUBE,12X16X46	1	1	1	1	1
92200	92200-2082	WASHER,12.3X20X0.5					
		FC180-017768-					
130	130B0612	BOLT-FLANGED	7	7	7	7	7
130A	130G0835	BOLT-FLANGED	4	4	4	4	4
130B	130G0845	BOLT-FLANGED	4	4	4	4	4
130C	130G0850	BOLT-FLANGED	3	3	3	3	3
482	482J9000	CIRCLIP-TYPE-E	1	1			
482A	482J9000	CIRCLIP-TYPE-E				1	
		(FC180-017767)					
551	551A0612	PIN-DOWEL	2	2	2	2	2
554	554A0600	PIN-SNAP	1	1	1	1	1
555	555A0516	PIN-SPRING	1	1			
555A	555A0516	PIN-SPRING					1
		(FC180-017767)					

E0120-A029C

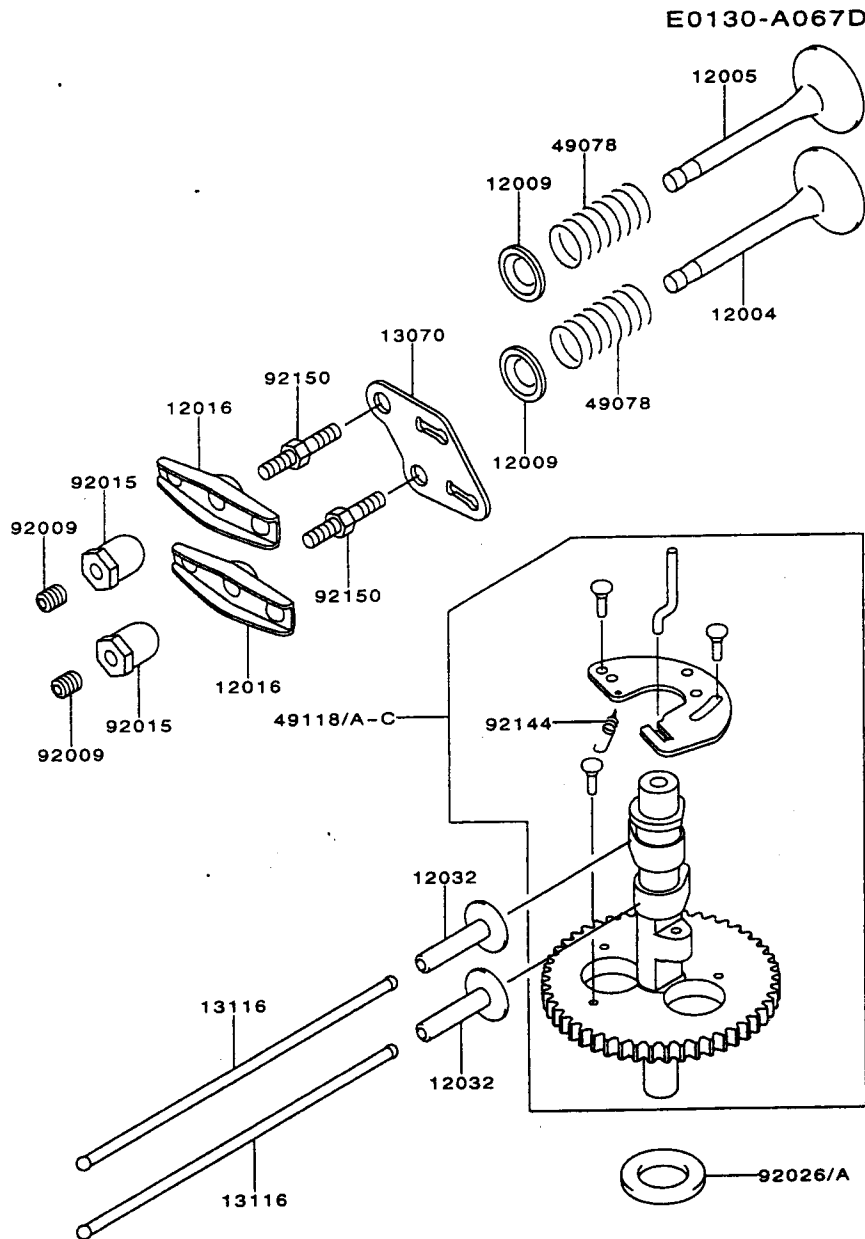


Ref. No.	Parts No.	Description	Quantity				
			A	B	C	D	E
13001	13001-2134	PISTON-ENGINE	1	1	1	1	1
13002	13002-1004	PIN-PISTON	1	1	1	1	1
13008	13008-6029	RING-SET-PISTON	1	1	1	1	1
13025	13025-2099	RING-SET-PISTON L,0.5.			AR	AR	AR
13025A	13025-2099	RING-SET-PISTON L,0.5.			AR		
13025B	13025-6018	RING-SET-PISTON L,0.50	AR				
13025C	13025-6018	RING-SET-PISTON L,0.50				AR	AR
13029	13029-2121	PISTON-ENGINE L,0.50				AR	AR
13029A	13029-2121	PISTON-ENGINE L,0.50	AR				
13031	13031-2078	CRANKSHAFT-COMP	1	1	1	1	1
13251	13251-6052	ROD-ASSY-CONNECTING	1	1	1	1	1
59051	59051-2330	GEAR-SPUR	1	1	1	1	1
92033	92033-2053	RING-SNAP	2	2	2	2	2
92150	92150-2122	BOLT,CONNECTING ROD	2	2	2	2	2
92200	92200-2058	WASHER,28X40X0.5	1				
92200A	92200-2058	WASHER,28X40X0.5				1	1
92200B	92200-2069	WASHER				1	
92200C	92200-2069	WASHER	1	1	1	1	1
551	551A0306	PIN-DOWEL					

This catalog covers:
FC180V-□ B50

03

This fig. covers:
VALVE/CAMSHAFT



Ref. No.	Parts No.	Description	Quantity				
			A	B	C	D	E
12004	12004-2101	VALVE-INTAKE	1	1	1	1	1
12005	12005-2089	VALVE-EXHAUST	1	1	1	1	1
12009	12009-2062	RETAINER-VALVE SPRING	2	2	2	2	2
12016	12016-2057	ARM-ROCKER	2	2	2	2	2
12032	12032-2065	TAPPET	2	2	2	2	2
13070	13070-2091	GUIDE	1	1	1	1	1
13116	13116-2065	ROD-PUSH	2	2	2	2	2
49078	49078-2064	SPRING-ENGINE VALVE	2	2	2	2	2
49118	49118-2110	CAMSHAFT-COMP	1				
49118A	49118-2110	CAMSHAFT-COMP					
		(FC180-012575)					
49118B	49118-2126	CAMSHAFT-COMP			1	1	1
49118C	49118-2126	CAMSHAFT-COMP	1				
		(FC180-012576-					
92009	92009-2341	SCREW	2	2	2	2	2
92015	92015-2253	NUT	2	2	2	2	2
92026	92022-269	SPACER			1	1	
92026A	92022-269	SPACER			1		
		(FC180-017768-					
92144	92144-2315	SPRING	1	1	1	1	1
92150	92150-2248	BOLT	2	2	2	2	2

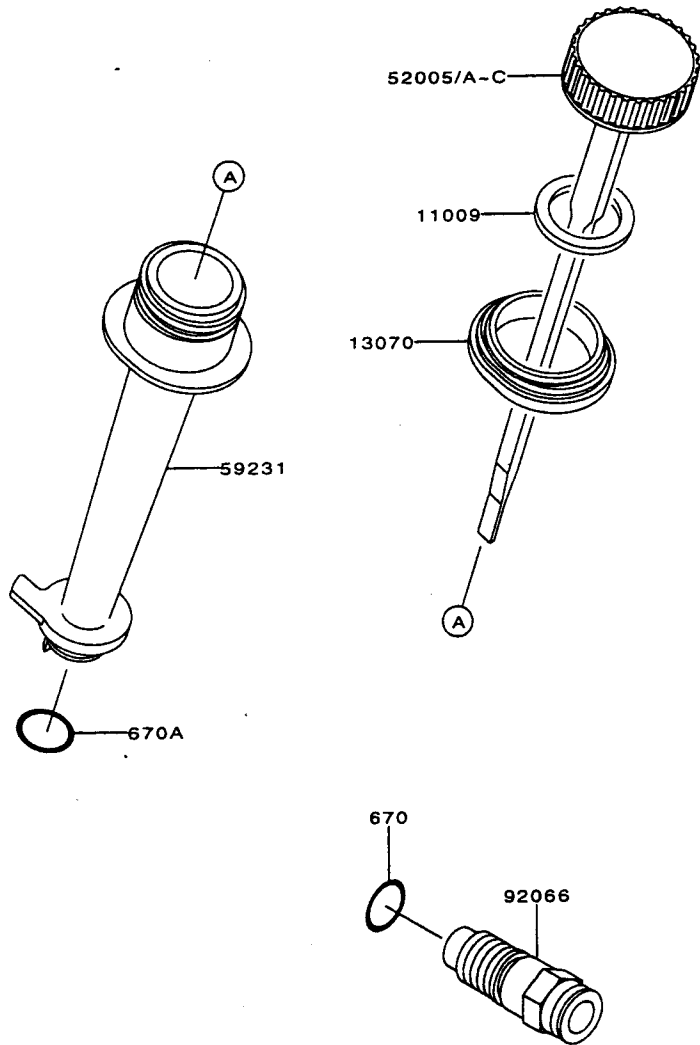
This catalog covers:
FC180V-□ B50

04

This fig. covers:
LUBRICATION-EQUIPMENT

E0140-A009C

Ref. No.	Parts No.	Description	Quantity				
			A	B	C	D	E
11009	11009-2346	GASKET,OIL GAUGE	1	1	1	1	1
13070	13070-2092	GUIDE	1	1	1	1	1
52005	52005-2094	GAUGE,OIL	1	1			
52005A	52005-2094	GAUGE,OIL					
52005B	52005-2124	GAUGE					1 1
52005C	52005-2124	GAUGE					1
59231	59231-2077	FILLER					
92066	92066-2180	PLUG	1	1	1	1	1
670	670D2015	O RING	1	1	1	1	1
670A	670D2016	O RING	1	1	1	1	1

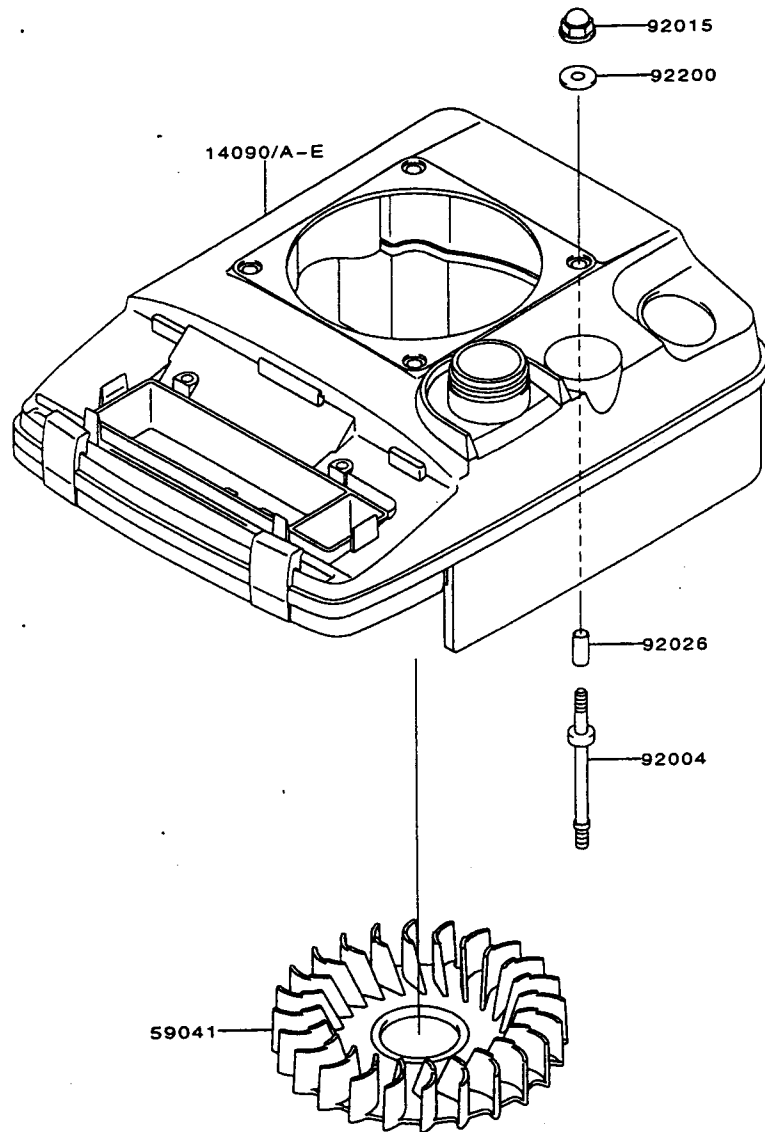


This catalog covers:
FC180V-□ B50

05

This fig. covers:
COOLING-EQUIPMENT

E0150-A122E



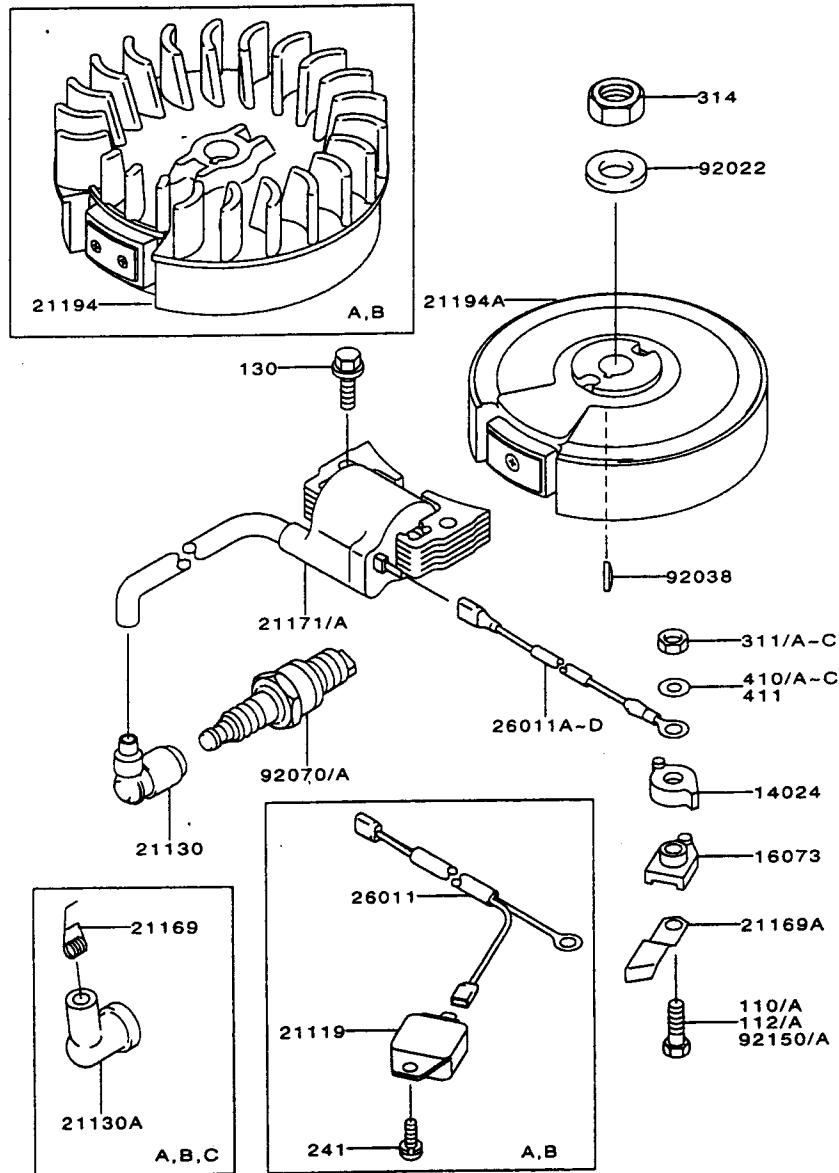
Ref. No.	Parts No.	Description	Quantity					
			A	B	C	D	E	
14090	14090-2033	COVER						
14090A	14090-2063	COVER		1	1			
14090B	14090-2063	COVER						
14090C	14090-2063	COVER						
14090D	14090-2097	COVER						1
14090E	14090-2097	COVER						1
59041	59041-2083	FAN					1	1
92004	92004-2135	STUD	4	4	4	4	4	4
92015	92015-1170	NUT	4	4	4	4	4	4
92026	92026-2273	SPACER,6.2X7.8X17	4	4	4	4	4	4
92200	92200-2037	WASHER,6.5X18X2.0	4	4	4	4	4	4

This catalog covers:
FC180V-□ B50

06

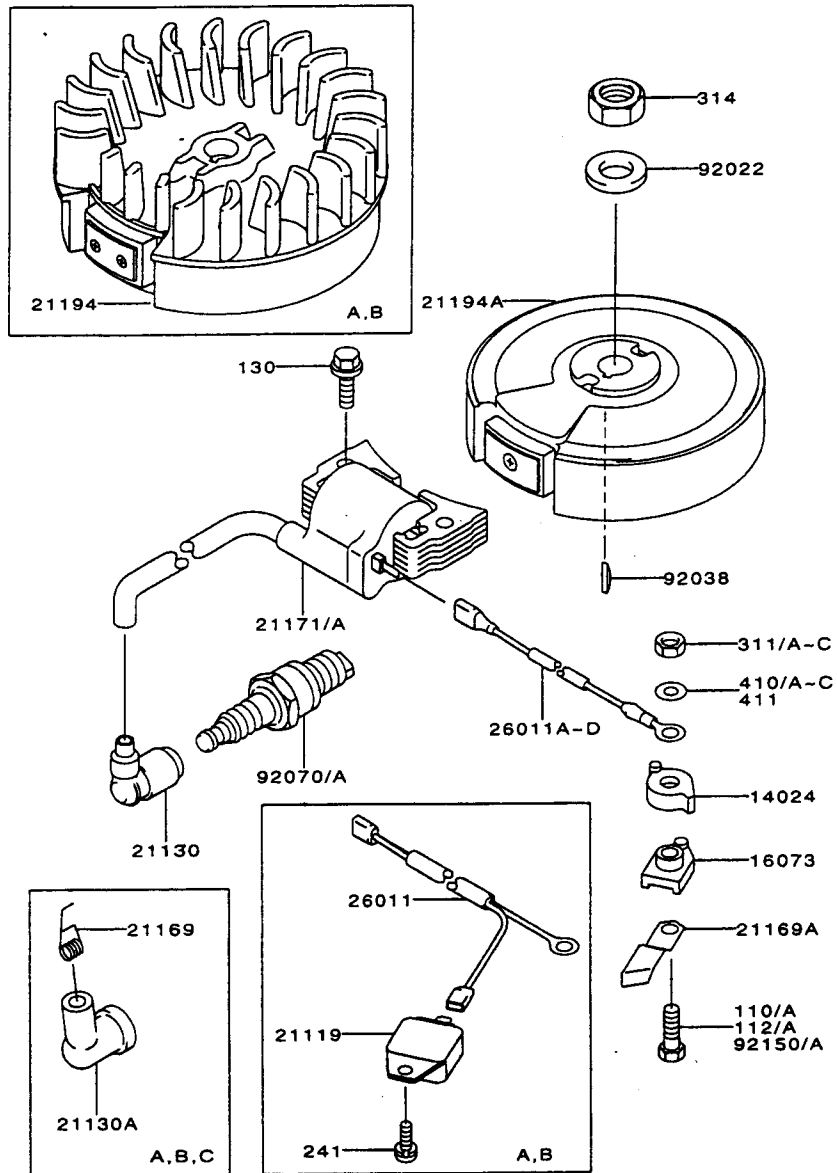
This fig. covers:
ELECTRIC-EQUIPMENT

E0160-A545A



Ref. No.	Parts No.	Description	Quantity				
			A	B	C	D	E
14024	14024-2183	COVER	1	1	1	1	1
16073	16073-2165	INSULATOR	1	1	1	1	1
21119	21119-2139	IGNITER	1	1			
21130	21130-2060	CAP-SPARK PLUG				1	1
21130A	21130-2066	CAP-SPARK PLUG	1	1	1		
21169	21169-2004	TERMINAL	1	1	1		
21169A	21169-2066	TERMINAL	1	1	1	1	1
21171	21171-2176	COIL-ASSY-IGNITION	1	1			
21171A	21171-2200	COIL-ASSY-IGNITION				1	1
21194	21194-2249	FLYWHEEL-COMP	1	1			
21194A	21194-2292	FLYWHEEL-COMP				1	1
26011	26011-2297	WIRE-LEAD	1	1			
26011A	26011-2306	WIRE-LEAD				1	
26011B	26011-2306	WIRE-LEAD					
26011C	26011-2355	WIRE-LEAD, L=300MM (FC180-021425)					1
26011D	26011-2355	WIRE-LEAD, L=300MM (FC180-021426-)					1
92022	92022-2102	WASHER	1	1	1	1	1
92038	92038-2077	KEY	1	1	1	1	1
92070	92070-1167	PLUG-SPARK, BP5ES(NGK), SOLID	1	1	1		
92070A	92070-2077	PLUG-SPARK, BPR5ES(NGK), SOLID				1	1
92150	92150-2300	BOLT, 4X20					1
92150A	92150-2300	BOLT, 4X20 (FC180-017987-)				1	
110	110B0522	BOLT-FLANGED					1
110A	110B0522	BOLT-FLANGED					1
112	112B0522	BOLT-UPSET (FC180-017986)					1
112A	112B0522	BOLT-UPSET					1
130	130G0625	BOLT-FLANGED	2	2	2	2	2
241	241B0408	SCREW-PAN-WP+	1	1			
311	311B0400	NUT-HEX				1	1
311A	311B0400	NUT-HEX (FC180-017987-)				1	
311B	311B0500	NUT-HEX	1	1			
311C	311B0500	NUT-HEX (FC180-017986)				1	
314	314G1400	NUT-HEX-FINE	1	1	1	1	1
410	410B0400	W-PLAIN-S				1	1

E0160-A545A



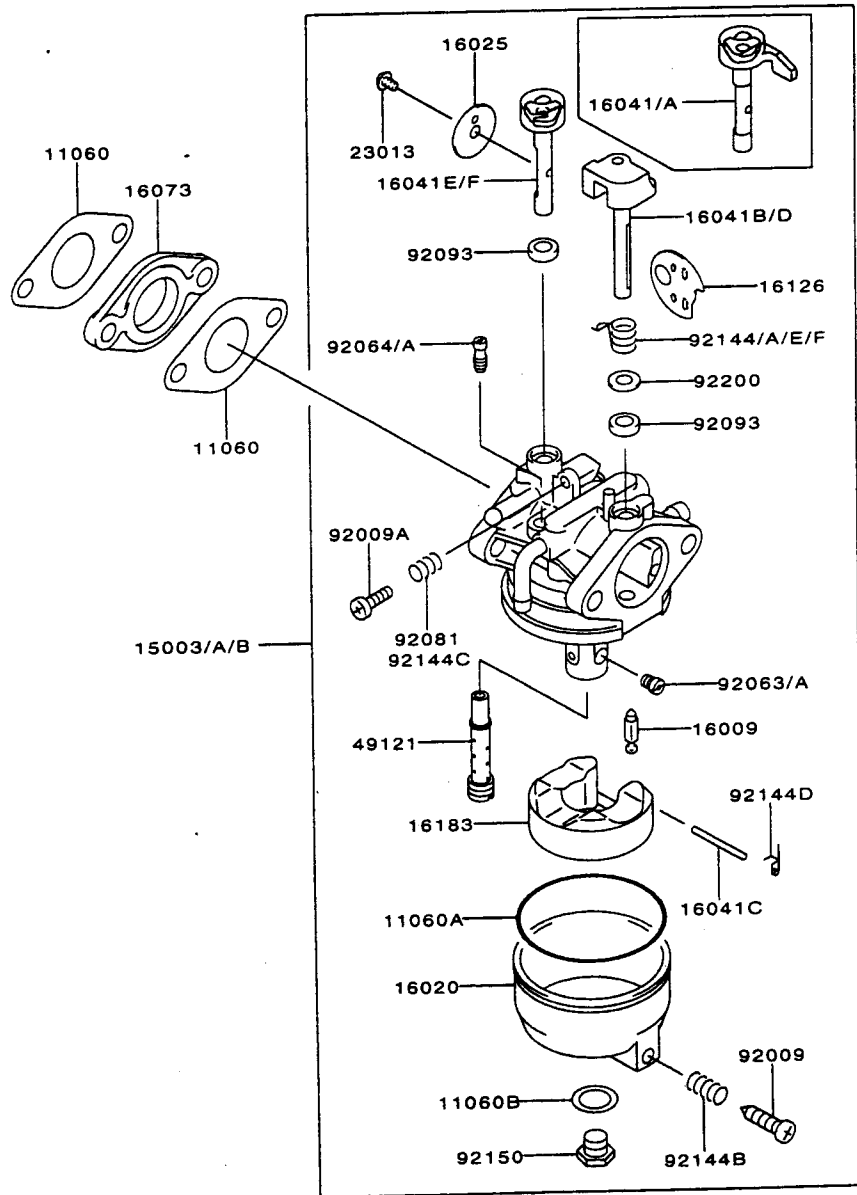
Ref. No.	Parts No.	Description	Quantity				
			A	B	C	D	E
410A	410B0400	W-PLAIN-S					1
410B	410B0500	W-PLAIN-S	1	1			
410C	410B0500	W-PLAIN-S					1
	(
		FC180-017986)					
411	411B0400	WASHER-PLAIN					
	(
		FC180-017987-					
)					

This catalog covers:
FC180V-□ B50

08

This fig. covers:
CARBURETOR

E0180-A286E

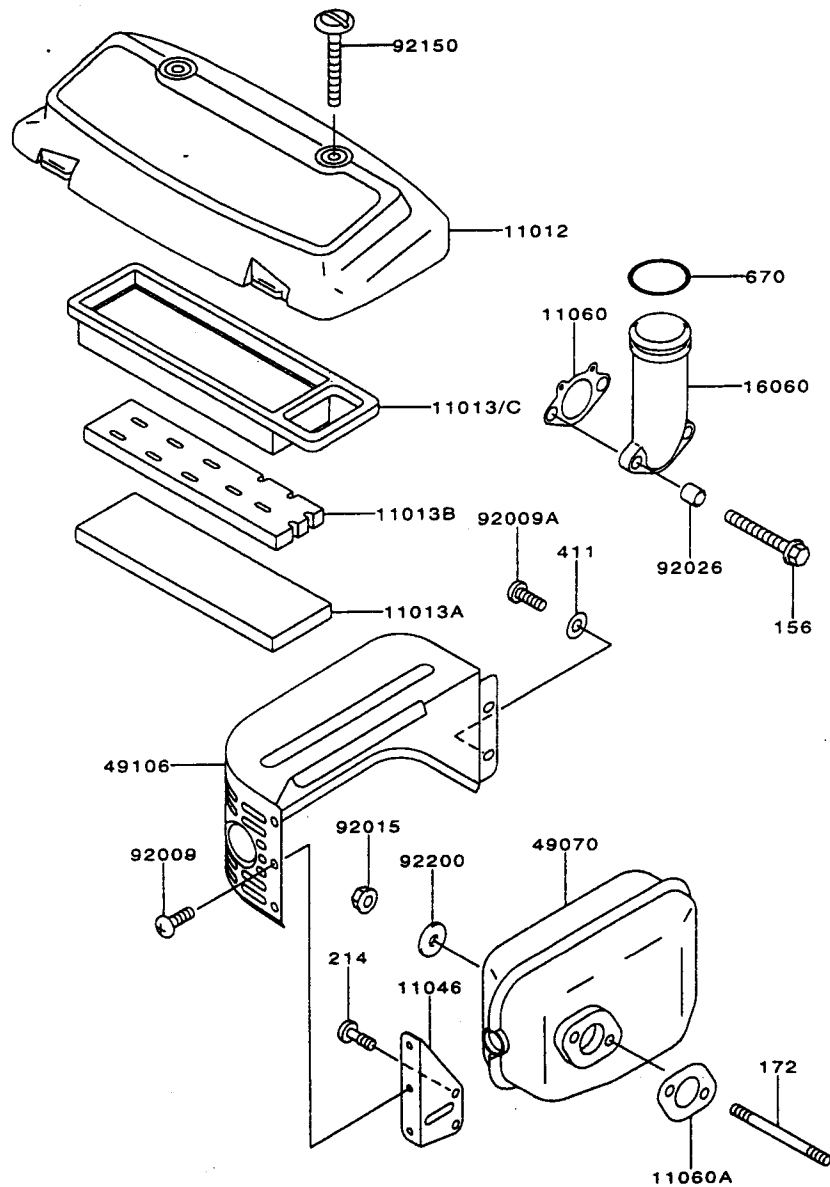


Ref. No.	Parts No.	Description	Quantity				
			A	B	C	D	E
11060	11060-2144	GASKET,CARBURETOR	2	2	2	2	2
11060A	11060-2190	GASKET	1	1	1	1	1
11060B	11060-2191	GASKET	1	1	1	1	1
15003	15003-2227	CARBURETOR-ASSY.	1				
15003A	15003-2351	CARBURETOR-ASSY		1	1	1	
15003B	15003-2618	CARBURETOR-ASSY					1
16009	16009-2136	NEEDLE-JET	1	1	1	1	1
16020	16020-2129	CHAMBER-FLOAT	1	1	1	1	1
16025	16025-2166	VALVE-THROTTLE	1	1	1	1	1
16041	16041-2222	SHAFT-CARBURETOR,THROTTLE	1	1			
16041A	16041-2222	SHAFT-CARBURETOR,THROTTLE	1				
16041B	16041-2223	SHAFT-CARBURETOR,CHOKE	1	1	1	1	1
16041C	16041-2224	SHAFT-CARBURETOR,FLOAT		1	1	1	1
16041D	16041-2231	SHAFT-CARBURETOR,CHOKE				1	1
16041E	16041-2244	SHAFT-CARBURETOR				1	1
16041F	16041-2244	SHAFT-CARBURETOR				1	1
16073	16073-2164	INSULATOR	1	1	1	1	1
16126	16126-2191	VALVE,CHOKE	1	1	1	1	1
16183	16183-2002	FLOAT-ASSY	1	1	1	1	1
23013	23013-2058	SCREW-ASSY	1	1	1	1	1
49121	49121-2190	NOZZLE-MAIN				1	1
92009	92009-2348	SCREW	1	1	1	1	1
92009A	92009-2349	SCREW	1	1	1	1	1
92063	92063-2242	JET-MAIN,#92	1	1	1	1	
92063A	92063-2338	JET-MAIN,#84					1
92064	92064-2094	JET-PILOT,#44	1	1	1	1	
92064A	92064-2122	JET-PILOT				1	1
92081	92081-2234	SPRING		1	1	1	1
92093	92093-2100	SEAL	2	2	2	2	2
92144	92144-2332	SPRING	1				
92144A	92144-2332	SPRING				1	1
92144B	92144-2333	SPRING	1				
92144C	92144-2334	SPRING	1	1	1	1	1
92144D	92144-2335	SPRING				1	1
92144E	92144-2364	SPRING				1	1
92144F	92144-2364	SPRING				1	1
92150	92150-2263	BOLT	1	1	1	1	1
92200	92200-2061	WASHER,9.8X5.5X1.0	1	1	1	1	1

This catalog covers:
FC180V-□ B50

09

This fig. covers:
AIR-FILTER/MUFFLER



E0190-A281A

Ref. No.	Parts No.	Description	Quantity				
			A	B	C	D	E
11012	11012-2327	CAP,AIR FILTER	1	1	1	1	1
11013	11013-2151	ELEMENT-AIR FILTER	1	1	1	1	1
11013A	11013-2152	ELEMENT-AIR FILTER	1	1	1	1	1
11013B	11013-2180	ELEMENT-AIR FILTER					1
11013C	11013-2181	ELEMENT-AIR FILTER					1
11046	11046-2053	BRACKET	1	1	1	1	1
11060	11060-2141	GASKET	1	1	1	1	1
11060A	11060-2185	GASKET,MUFFLER	1	1	1	1	1
16060	16060-2171	PIPE-INTAKE	1	1	1	1	1
49070	49070-2491	MUFFLER-COMP	1	1	1	1	1
49106	49106-2446	COVER-MUFFLER	1	1	1	1	1
92009	92009-2166	SCREW,5X8	3	3	3	3	3
92009A	92009-2308	SCREW	2	2	2	2	2
92015	92015-1193	NUT	2	2	2	2	2
92026	92026-2272	SPACER,6.2X7.8X8	2	2	2	2	2
92150	92150-2152	BOLT	2	2	2	2	2
92200	92200-2032	WASHER,7X21X2.3	2	2	2	2	2
156	156R0680	BOLT-WP	2	2	2	2	2
172	172G0680	BOLT-STUD	2	2	2	2	2
214	214B0510	SCREW-PAN+	2	2	2	2	2
411	411B0500	WASHER-PLAIN	2	2	2	2	2
670	670B3032	O RING	1	1	1	1	1

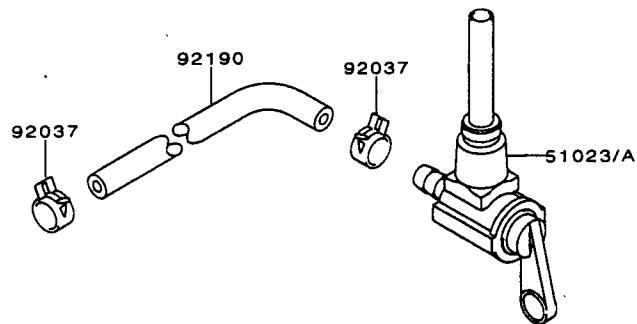
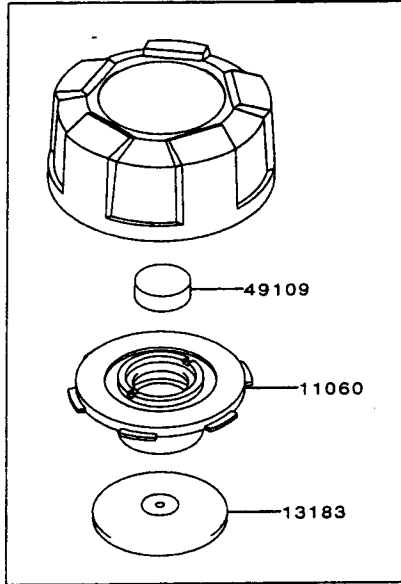
This catalog covers:
FC180V-□ B50

10

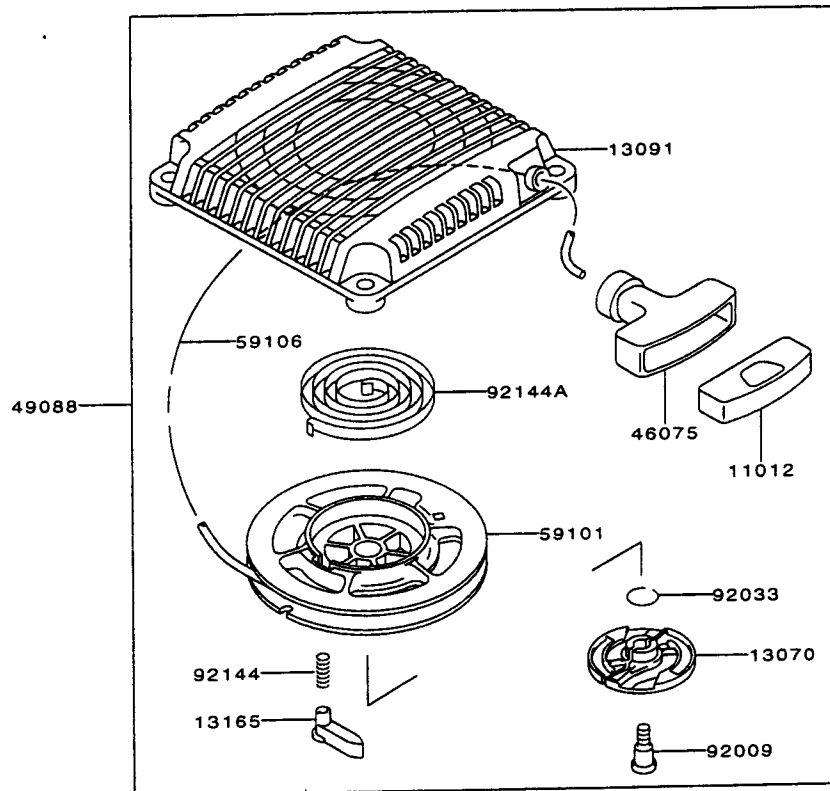
This fig. covers:
FUEL-TANK/FUEL-VALVE

E0200-A010B

Ref. No.	Parts No.	Description	Quantity				
			A	B	C	D	E
11060	11060-2145	GASKET	1	1	1	1	1
13183	13183-2505	PLATE	1	1	1	1	1
49109	49109-2054	ELEMENT-BREATHER	1	1	1	1	1
51023	51023-2160	TAP-ASSY	1	1	1	1	
51023A	51023-2160	TAP-ASSY					1
51048	51048-2072	CAP-ASSY-TANK	1	1	1	1	1
92037	92037-2113	CLAMP	2	2	2	2	2
92190	92190-2113	TUBE,5X10X223	1	1	1	1	1



E0210-A012A



Ref. No.	Parts No.	Description	Quantity				
			A	B	C	D	E
11012	11012-2255	CAP,GRIP	1	1	1	1	1
13070	13070-2088	GUIDE,PAWL	1	1	1	1	1
13091	13091-2129	HOLDER,RECOIL STARTER	1	1	1	1	1
13165	13165-2082	PAWL,RECOIL STARTER	2	2	2	2	2
14037	14037-2127	SCREEN	1	1	1	1	1
46075	46075-2082	GRIP,RECOIL STARTER	1	1	1	1	1
49080	49080-2166	PULLEY-STARTING	1	1	1	1	1
49088	49088-2423	STARTER-RECOIL	1	1	1	1	1
59101	59101-2095	REEL,RECOIL STARTER	1	1	1	1	1
59106	59106-2126	ROPE,3.8X1650	1	1	1	1	1
92009	92009-2347	SCREW	1	1	1	1	1
92033	92033-2160	RING-SNAP	1	1	1	1	1
92144	92144-2177	SPRING,RETURN	2	2	2	2	2
92144A	92144-2272	SPRING	1	1	1	1	1

